

**PRINTRONIX**  
AUTO ID

# T8000

THERMAL PRINTERS

**POWERFUL**

**RELIABLE**

**PROVEN**





## The T8000 is the premier high-end thermal printer.

With unmatched industrial performance, easy to use, and 100% verifiable output, the T8000 exceeds the requirements of the most demanding mission critical manufacturing and distribution operations.



### EASY-TO-USE

- New 3.4" full color display panel with easy to use navigation keys
- Most extensive library of print emulations in the industry, now includes Postscript/PDF printing
- Intuitive printer setup, print quality, and self-help wizard
- Easily accessible side media loading
- Quick Change Memory Card stores printer configuration and network settings for easy installation of new printers



### INDUSTRIAL PERFORMANCE

- Seamless integration & connectivity with robust remote printer management
- 40% faster print speed, 6x faster processing speed, and 8x more memory than the competition
- Rugged design for the most demanding global customers and the harshest environments
- Energy Star compliant



### VERIFIABLE OUTPUT

- Eliminate compliance fines and chargebacks with Online Data Validator (ODV) to produce 100% scannable barcodes every time
- Automatic capture of statistics that can be used as certification stamp and audit
- Fully integrated solution with the ability to retract, void, and reprint labels automatically

**Rugged design with industry leading capabilities** to print PostScript/PDF, print in sub-zero temperatures without heated enclosures, all while remotely managing your environments with PrintNet Enterprise.

**CONNECTIVITY ANYWHERE**

- Experience unrestrained networking power anywhere on your premises
- Increase productivity by printing labels and barcodes at points of need
- Various connectivity options available with latest wireless security protocols
- Robust networking capabilities and support for both 2.4 GHz and 5.0 GHz frequency bands
- Hi-res, icon-based color panel displays instant and easily visible printer status
- Availability of industrial PrintCart, to extend mobility and connectivity

**POSTSCRIPT/PDF**

- First to offer Postscript/PDF for thermal printing
- Seamless connectivity of PostScript/PDF files for quick deployment
- Supports the latest ERP systems, and Plug-n-Play with native SAP Drivers

**HARSH ENVIRONMENT**

- Reliable performance in sub-zero environments without a heated enclosure. -5C for direct thermal and 5C for thermal transfer
- Cold supply chain customers can realize cost savings on heated enclosures and energy consumption
- Ability to handle dirt, grime, humidity, and extreme temperatures found in manufacturing, warehouse, and distribution centers around the globe

**PRINTNET ENTERPRISE**

- Robust remote printer management to monitor printers and virtual control panel to configure from anywhere in the world
- Designate events and be alerted of printer issues via email, pager or mobile phone alerts
- Complete compatibility with any Printronix Auto ID product

**EXCLUSIVE SOLUTIONS**

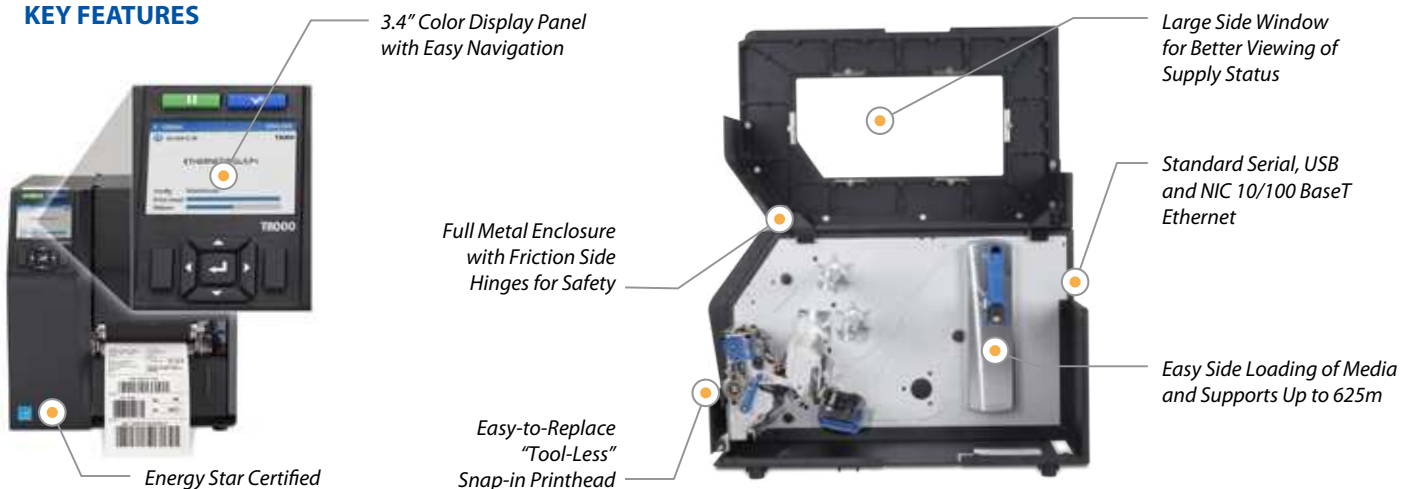


Online Data Validator (ODV)



Powered Mobile Print Cart

**KEY FEATURES**



# T8000

## SPECIFICATIONS



### PRODUCT BENEFITS

- \* High performance ARM Cortex-A9
- \* Die-cast aluminum frame w/metal door
- \* Transfer and direct printing
- \* 4", 6", and 8" model configurations
- \* Premium Asian and Andale font support
- \* State-of-the-art WiFi connectivity
- \* Available in 203 DPI and 300 DPI
- \* Dual motor ribbon drive system
- \* 512MB RAM / 128MB Flash Memory
- \* 4-32 GB SD memory card capability
- \* ENERGY STAR Certified

### PRINTER SPECIFICATIONS

Max Print Speed (4"/6"/8")	14/12/10 IPS @ 203 DPI; 12/10/8 IPS @ 300 DPI
Print Method	Transfer and Direct
Resolution	203 DPI or 300 DPI
Max. Print Width	4.1" (104mm) / 6.6" (168mm) / 8.5" (216mm)
Printer Memory	512MB RAM / 128MB Flash

### MEDIA SPECIFICATIONS

Media Type	Roll or Fan-Fold Labels, Tags, Paper, Film, Tickets
Min. Media Width (4"/6"/8")	1" (25.4mm) / 2" (50.8mm) / 3" (76.2mm)
Max. Media Width	4.5" (114.3mm) / 6.8" (172.7mm) / 8.75" (222.2mm)
Min. Media Length	0.25" / 1.0" (Continuous/Tear-Off) / 0.5" (Peel-Off)
Max. Media Length	Up to 99"
Media Thickness	2.5mm (0.0025") to 10mm (0.010")
Media Roll Core Diameter	1.5" (37.5mm) to 3.0" (76mm)
Max. Media Roll Diameter	8.0" (209mm)
Media Sensing	Gap, Mark, Advanced Gap, Advanced Notch

### RIBBON SPECIFICATIONS

Ribbon Type	Wax, Wax/Resin, Resin
Min. Ribbon Width (4"/6"/8")	1" (25.4mm) / 2" (50.8mm) / 3" (76.2mm)
Max. Ribbon Width (4"/6"/8")	4.5" (114.3mm) / 6.8" (172.7mm) / 8.75" (222.2mm)
Max. Ribbon Length	625 Meters

### PHYSICAL CHARACTERISTICS

Width (4"/6"/8")	11.7" (297.2mm) / 13.4" (340.4mm) / 15.4" (391.2mm)
Height (4"/6"/8")	13" (330.2mm) / 13" (330.2mm) / 13" (330.2mm)
Depth (4"/6"/8")	20.5" (520.7mm) / 20.5" (520.7mm) / 20.5" (520.7mm)
Printer Weight (4"/6"/8")	37 lbs. (16.7Kg.) / 40 lbs. (18.1 Kg.) / 43 lbs. (19.5Kg.)
Shipping Weight (4"/6"/8")	46 lbs. (20.8Kg.) / 49 lbs. (22.2 Kg.) / 52 lbs. (23.6Kg.)

### PRINTER LANGUAGE

IGP Languages	PGL/VGL/ZGL/TGL/IGL/STGL/DGL/IEGL/MGL
Line Printer Plus Languages	P-Series + XQ, Proprinter, Serial Matrix, Epson
Job Control Languages	PJL, XML, and PTX-SETUP
Optional Languages	IPDS TN5250/TN3270 PDF Level 1.7, Postscript Level 3

### COMMUNICATION AND CONNECTIVITY / INTERFACE

Standard Interface I/O	Serial RS232, USB, and Ethernet 10/100Base T
Optional Interface I/O	Parallel, WiFi (802.11a/b/g/n), GPIO
WiFi Security Protocol	WEP 40/128bit, WPA Personal (TKIP), WPA2 Personal (AES/CCMP), EAP-PEAP, EAP-TTLS, PEAPv0/EAP-MSCHAPv2, EAP-TLS

### BARCODE VALIDATION

Online Data Validator (ODV)	Validates, Grade, Report, and Overstrike Barcodes Supports 1D Barcodes (Picket Fence)
-----------------------------	--

### MEDIA HANDLING MODES

Standard Options	Continuous, Tear-Off Strip, Tear-Off Peel-Off, Cut, and Rewind
------------------	--

### OPERATING ENVIRONMENT

Operating Temperature	Direct Thermal w/o accessories: 23 to 104F (-5 to 40C) Thermal Transfer: 40 to 104F (5 to 40C)
Operating Humidity	20-85% Non-Condensing
Storage Temperature	23 to 140 F (-5 to 60 C)
Storage Humidity	5 to 85% Non-Condensing

### POWER REQUIREMENT

Line Input	Auto Range 90 - 264 VAC (48 - 62 Hz)
------------	--------------------------------------

### REGULATORY COMPLIANCES

Emissions	FCC, CE, CCC
Safety	cTUVV, CE, EAC, SABS, RCM, CCC, KC, S-MARK, NOM
Environmental	RoHS, WEEE, Energy Star

### BARCODE SYMBOLOGIES

1D Barcodes	BC-412, Code 11, Code 39, Code 35, Code 93, Codabar, Code128 Subsets A/B/C, Industrial 2 of 5, Interleave 2 of 5, German I-2/5, EAN-8, EAN-13, UCC/EAN-128, UPC-A, UPC-E, UPCSHIP, UPS 11, MSI, Matrix 2 of 5, PLESSEY, POSTNET, 4-state PostBar, Australian 4-state, FIM, ITF14, TELEPEN, PLANET, USPS Intelligent Mail, LOGMARS
2D Barcodes	PDF-417, MicroPDF-417, Maxicode, DataMatrix, QR Codes, Aztec, GS1 Databar (RSS-14)

### FONT, GRAPHIC SUPPORT

Graphic Formats	PCX, TIFF, BMP, PNG
Font Technologies	Intellifont, TrueType, Unicode
Standard Fonts	OCRA, OCRB, Courier, Letter Gothic, CG Times, CG Triumvirate/Bold/Condensed
Asian Fonts (Optional SD card)	Simplified Chinese, Japanese, and Korean
Andale Fonts (Optional SD card)	Simplified Chinese, Traditional Chinese, Korean, Japanese
PDF/ PostScript Level 3	35 Fonts

### REMOTE MANAGEMENT SOFTWARE

PrintNet Enterprise Suite	Enterprise Grade Remote Management Solution
---------------------------	---

### OPTIONS AND ACCESSORIES

* WiFi 802.11 a/b/g/n (US/EU/CAN)	* Rewind 4"/6"/8"
* Parallel Port Card	* Heavy Duty Cutter 4"/6"/8"
* GPIO	* Peel & Present 4"/6"/8"
* TN5250	* Premium Asian Font Cards
* PDF/PostScript	* Premium Andale Font Cards
* IPDS	* QCMC (SD Quick Change Memory Card)
* Online Data Validator (ODV)	



Contact your local Printronix Auto ID authorized reseller.

**PRINTRONIX**  
AUTO ID

[printronixautoid.com](http://printronixautoid.com)



© 2016 Printronix Auto ID Technology, Inc. All rights reserved. Printronix Auto ID Technology, Inc. and all product names, numbers and logos are trademarks or registered trademarks of Printronix, Inc. Product appearance and/or specifications are subject to change without notice. Windows® is a registered trademark of Microsoft Corporation™ in the United States and other countries. All other trademarks, product names and company names and logos herein, are the property of their respective owners. PTXAI 8000 v1 (3/16)

**PRINTRONIX**  
AUTO ID

# ODV-2D

THERMAL PRINTER VALIDATOR

**COMPLIANT  
VALIDATION**

**EASY  
COMMUNICATION**

**DEPENDABLE  
DESIGN**





## Eliminate expensive compliance fees by producing 100% accurate barcodes, 100% of the time.

The ODV-2D is the industry's first affordable, fully integrated solution with the ability to print and validate 1D and 2D barcodes. Built on the robust T8000 printer platform, ODV-2D includes a built-in data validator that grades barcodes to ISO standards and stores a detailed report of each transaction. Our exclusive technology reads each barcode, overstrikes the entire label of a rejected barcode, and reprints a new label. The ODV-2D delivers accelerated ROI by eliminating charge backs and fines for non-conformance labels. Advanced features allow it to integrate easily and quickly into existing applications.



### COMPLIANT VALIDATION & PRODUCTIVITY

- Validates full suite of 1D & 2D barcodes with up to 50 barcodes per label
- Prints up to 8ips with full validation, grading & compliance reporting
- Grades to ISO standards including Quiet Zone & Check Sum errors
- Full label back-up and overstrike
- Barcode "GPS" dynamically locates barcode, orientation & improved throughput
- Most affordable, fully integrated solution on the market



### EASY COMMUNICATION & NETWORKING

- Most extensive suite of printer emulations in the industry
- PrintNet Enterprise Auto ID provides global or enterprise wide network access, control, update and reporting
- Supports Ethernet or WiFi & includes 802.11 ac for faster communication & improved range
- Extensive and scalable security solutions



### DEPENDABLE DESIGN

- Built on the proven design of our most robust printer, the T8000
- Dual motor design for outstanding print quality & productivity
- Large 3.4" color display panel with intuitive menu and navigation keys
- Intelligent heat management for longer printhead life outstanding print quality even at top speeds

## TIRED OF REJECTED SHIPMENTS AND COMPLIANCE FEES?

With a global increase in regulatory compliance standards and fines, it is more important than ever to ensure your products are labeled correctly with accurate barcodes. ODV-2D addresses these requirements with the ability to validate up to 50 barcodes per label INCLUDING 2D Barcodes.

The ODV-2D reads and grades every label based on ISO standards. When ODV-2D rejects a barcode, it strikes out the entire label and reprints it without operator intervention. At the end of the day you can generate a report directly from the printer with data on every label printed and graded. Archive that data and you'll never pay compliance fees again!



## WE BUILT A COMPLETE SOLUTION SO YOU DON'T HAVE TO

With the introduction of the ODV-2D we've eliminated the need for companies to piece together their own solutions from separate printers and validators. ODV-2D offers the industry's first affordable, fully integrated solution with the ability to print and validate **1D and 2D barcodes**. The ODV-2D is built on the proven design of our most robust printer, the T8000.

## MANAGE YOUR ENTIRE ENTERPRISE FROM A SINGLE LOCATION

PrintNet Enterprise Auto ID (PNE) gives you the ability to dynamically record, archive and generate reports of scanned barcode data for each printer. With the addition of our robust printer management tool, you can pull reports for your entire enterprise as well as monitor and configure printers from anywhere in the world. You can also designate events and be alerted to printer issues via email, pager or mobile phone alerts. PrintNet Enterprise is available at no charge with the purchase of an ODV-2D printer.

## WHAT IS THE DIFFERENCE BETWEEN A VALIDATOR AND VERIFIER?

Not much with the ODV-2D. A verifier provides a technical analysis to internationally agreed upon standards (ISO). In order to meet the footprint and productivity requirements of production environments, the design of the ODV-2D has been refined and improved to optimize productivity and space requirements. As a result, the ODV-2D does not require an external device to grade 2D barcodes. By stitching the barcode image together at production speeds, the ODV-2D validation process grades and validates barcode information based upon ISO verification standards. The ODV-2D is a state-of-the-art printer validator that does not require additional accessories in order to offer compliant label output.



# ODV-2D

## SPECIFICATIONS



### PRODUCT BENEFITS

- \* High performance ARM Cortex-A9
- \* Die-cast aluminum frame w/metal door
- \* Transfer and direct printing
- \* 4" model configuration
- \* Premium Asian and Andale font support
- \* State-of-the-art WiFi connectivity
- \* Available in 203 DPI and 300 DPI
- \* Dual motor ribbon drive system
- \* 512MB RAM / 128MB Flash Memory
- \* 4-32 GB SD memory card capability
- \* ENERGY STAR Certified

### PRINTER SPECIFICATIONS

Max Print Speed	8 IPS @ 203 DPI; 8 IPS @ 300 DPI
Print Method	Transfer and Direct
Resolution	203 DPI or 300 DPI
Max. Print Width	4.1" (104mm)
Printer Memory	512MB RAM / 128MB Flash

### MEDIA SPECIFICATIONS

Media Type	Roll or Fan-Fold Labels, Tags, Paper, Film, Tickets
Min. Media Width	1" (25.4mm)
Max. Media Width	4.5" (114.3mm)
Min. Media Length	0.25" / 1.0" (Continuous/Tear-Off) / 0.5" (Peel-Off)
Max. Media Length	Up to 99"
Media Thickness	0.0025" (0.0635mm) to 0.010" (0.254mm)
Media Roll Core Diameter	1.5" (37.5mm) to 3.0" (76mm)
Max. Media Roll Diameter	8.0" (209mm)
Media Sensing	Gap, Mark, Advanced Gap, Advanced Notch

### RIBBON SPECIFICATIONS

Ribbon Type	Wax, Wax/Resin, Resin
Min. Ribbon Width	1" (25.4mm)
Max. Ribbon Width	4.5" (114.3mm)
Max. Ribbon Length	625 Meters

### MEDIA HANDLING MODES

Standard	Continuous, Tear-Off Strip, Tear-Off
Options	Peel-Off, Rewind

### PHYSICAL CHARACTERISTICS

Width	11.7" (297.2mm)
Height	13" (330.2mm)
Depth	20.5" (520.7mm)
Printer Weight	37 lbs. (16.7Kg.)
Shipping Weight	46 lbs. (20.8Kg.)

### PRINTER LANGUAGE

IGP Languages	PGL/VGL/ZGL/TGL/IGL/STGL/DGL/IEGL/MGL
Line Printer Plus Languages	P-Series + XQ, Proprinter, Serial Matrix, Epson
Job Control Languages	PJL, XML, and PTX-SETUP
Optional Languages	IPDS TN5250/TN3270 PDF Level 1.7, Postscript Level 3

### COMMUNICATION AND CONNECTIVITY / INTERFACE

Standard Interface I/O	Serial RS232, USB, and Ethernet 10/100Base T
Optional Interface I/O	Parallel, WiFi (802.11 b/g/n 2.4GHz) (802.11 a/n/ac 5GHz), GPIO
WiFi Security Protocol	WEP 40/128bit, WPA Personal (TKIP), WPA2 Personal (AES/CCMP), EAP-PEAP, EAP-TTLS, PEAPv0/EAP-MSCHAPv2, EAP-TLS Security Certificates

### BARCODE VALIDATION

Barcode Type	1D & 2D
Read Technology	5MP Camera
Barcode GPS	Yes
Max Barcodes per label	50
Overstrike Area	Full label
Validate Min. X-Dimension	10 mils
Validate Max. X-Dimensions	60 mils
Barcode Orientation	0°, 90°, 180°, 270°
Barcode Grading	A, B, C, D, F
Grading Report	Yes
Validation Standard	Based on ISO/IEC 15415, 15416
Enterprise Network Support	Yes w/PNE

### OPERATING ENVIRONMENT

Operating Temperature	Direct Thermal w/o accessories: 23° to 104°F (-5° to 40°C) Thermal Transfer: 40° to 104°F (5° to 40°C)
Operating Humidity	20-85% Non-Condensing
Storage Temperature	23° to 140°F (-5° to 60°C)
Storage Humidity	5 to 85% Non-Condensing

### POWER REQUIREMENT

Line Input	Auto Range 90 - 264 VAC (48 - 62 Hz)
------------	--------------------------------------

### REGULATORY COMPLIANCES

Emissions	FCC, CE, CCC
Safety	cTUVus, CE
Environmental	RoHS, WEEE, Energy Star

### BARCODES SUPPORTED FOR VALIDATION

1D Barcodes	Code 39, Code 93, Interleaved 2/5, Code 128, EAN 8 & 13, UPC-A, UPC-E, EAN UPC add-ons, Codabar
2D Barcodes	*PDF417, PDF417 Truncated, PDF417 Micro, DataMatrix, DataMatrix ECC 200, QR, AZTEC * Call to confirm, all barcodes listed may not be available initially

### FONT, GRAPHIC SUPPORT

Graphic Formats	PCX, TIFF, BMP, PNG
Font Technologies	Intellifont, TrueType, Unicode
Standard Fonts	OCRA, OCRB, Courier, Letter Gothic, CG Times, CG Triumvirate/Bold/Condensed
Asian Fonts (Optional SD card)	Simplified Chinese, Japanese, and Korean
Andale Fonts (Optional SD card)	Simplified Chinese, Traditional Chinese, Korean, Japanese
PDF/ PostScript Level 3	35 Fonts

### REMOTE MANAGEMENT SOFTWARE

PrintNet Enterprise Suite	Enterprise Grade Remote Management Solution
---------------------------	---

### OPTIONS AND ACCESSORIES

* WiFi 802.11 a/b/g/n/ac (US/EU/CAN)	* Rewind
* Parallel Port Card	* Peel & Present
* GPIO	* Premium Asian Font Cards
* TN5250	* Premium Andale Font Cards
* PDF/PostScript	* QCMC (SD Quick Change Memory Card)
* IPDS	



Contact your local Printronix Auto ID authorized reseller.

**PRINTRONIX**  
AUTO ID

[printronixautoid.com](http://printronixautoid.com)



© 2017 Printronix Auto ID Technology, Inc. All rights reserved. Printronix Auto ID Technology, Inc. and all product names, numbers and logos are trademarks or registered trademarks of Printronix, Inc. Product appearance and/or specifications are subject to change without notice. Windows® is a registered trademark of Microsoft Corporation™ in the United States and other countries. All other trademarks, product names and company names and logos herein, are the property of their respective owners. (9/17)